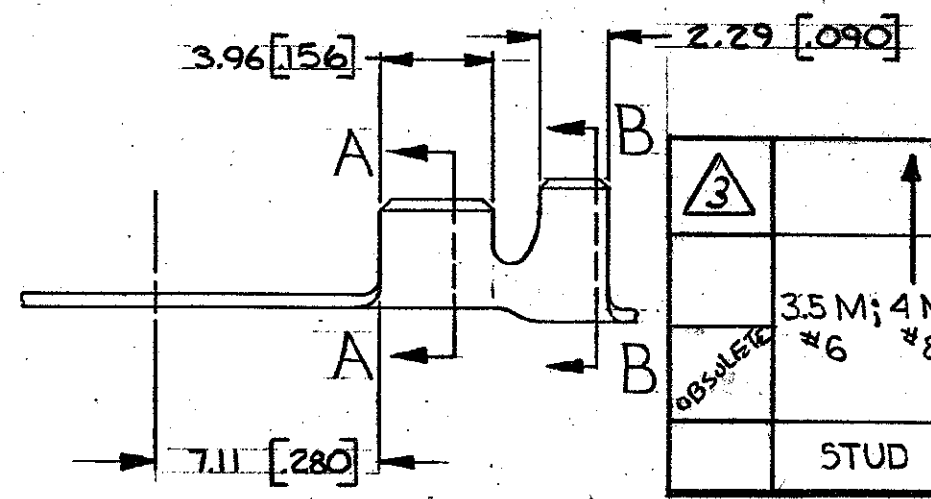
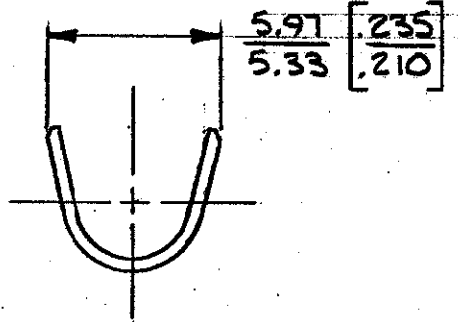
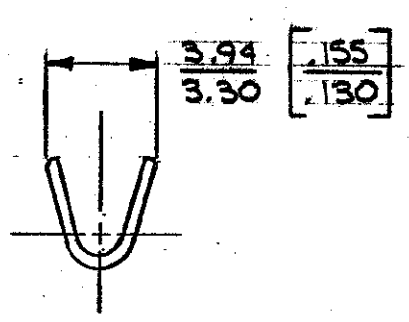
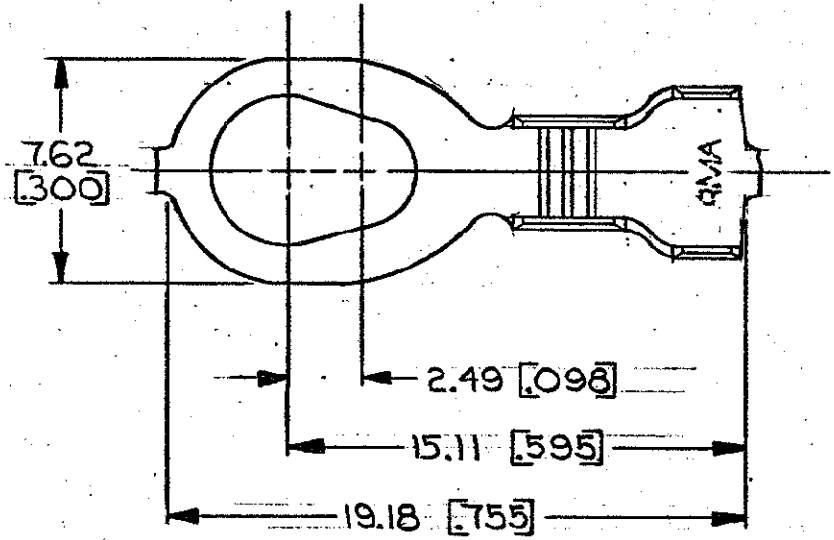


© COPYRIGHT 1976 BY AMP INCORPORATED, HARRISBURG, PA.
ALL INTERNATIONAL RIGHTS RESERVED. AMP INCORPORATED PRODUCTS
COVERED BY U. S. AND FOREIGN PATENTS AND/OR PATENTS PENDING.

		REVISIONS				
P	F	ZONE	LTR	DESCRIPTION	DATE	APPROVED
✓			C	REDRAWN & REVISED A-3943	5/18/78	<i>A.M.</i>
✓			D	OBS. -1 AF-4787	5-2-88	<i>MSF/DPD</i>
			E	ADDED-3 PER 063A-0372-01	6-2-91	<i>MSF/DPD</i>



				PRE-TIN	0.41 [016] BRASS	
3.5 M; 4 M; — #6 #8 #10	0.8 - 2.0 mm ² [18-14]	3.05 - 4.32 [120 - .170]		PRE-TIN	0.41 [016] BRASS	350981-2
STUD SIZE	WIRE RANGE	INSULATION RANGE		NONE		350981-1
				FINISH	MATERIAL	PART NO

- 1. CONTINUOUS STRIP ON REELS.
- 2. DIMENSIONS IN BRACKETS ARE IN INCHES.
- REDUCED PACKAGE QUANTITY.
- PRELIMINARY - NOT FOR PRODUCTION.

METRIC

UNLESS OTHERWISE SPECIFIED DIMENSIONS ARE IN mm TOLERANCES ON: DECIMALS ±0.38 [015] ANGLES ±1° 0'	CONTRACT NO	AMP INCORPORATED Harrisburg, Pa.
MATERIAL	DR <i>A. Magano</i> 5/18/78	
SEE TABLE	CHK <i>W. J. Davis</i> 7-25-78	NAME
FINISH	APPD <i>R. P. Frantz</i> 8-8-78	RING
SEE TABLE	APPD <i>Es. 7 Lupo</i> 8-10-78	SIZE B
	DSGN APPD	CODE IDENT NO 00779
	OTHER APPD	DRAWING NO 350981
		SCALE — SHEET